

## Application

D52-2042 rail type digital multi-function meter displays the measured AC voltage, current at the same time.

D52-2048 rail type digital multi-function meter displays the measured AC voltage, current, active power, apparent power and power factor at the same time.

The measuring current range of the meter is within 99.9a, and no external AC transformer is required. The current measurement can be completed by passing the wire of the measuring circuit through the small round hole on the right side of the instrument. The measuring current range of the instrument is beyond 99.9a, and external transformer is required. It is suitable for many power distribution equipment meters, and can monitor the use status of electrical appliances in real time.



## Specifications

Product Model	D52-2042		D52-2048	
Measurement voltage	AC80-300V	AC200-450V	AC80-300V	AC200-450V
Measuring current	AC100A (additional transformer is required if it is greater than 100A)			
Active power	-	-	0-30000W	0-45000W
Apparent power	-	-	0-30000VA	0-45000VA
Power factor	-	-	1.000-0.000	
Power supply	No power supply is required			
Measurement accuracy	0.5%			
Installation	35mm din rail installation			
Display	0.31 inch LED digital tube			
Function	Monitoring and measurement of voltage and current			

## Features

1. Adopting high strength fire retardant material, safe and reliable
2. High measurement accuracy, stable performance
3. Compact size and sturdy structure, easy installation
4. No external AC transformer is required for measuring current within 99.9A
5. Simply pass the wire of the measuring loop through the small round hole on the right side of the meter to complete the measurement

## Performance parameter

Electrical life	≥20000 times	Insulation resistance	50mΩ after 100mΩ service life
Mechanical life	≥300000 times	Coil insulation resistance	50mΩ after 100mΩ service life
Contact resistance	≤30mΩ	Contact withstand voltage	No flashover or breakdown for 1 minute
Action time	≤30ms	Coil withstand voltage	No flashover or breakdown for 1 minute
Release time	≤15ms	Wiring torque	Recommended torque 4-5N.m,6.0N.m(Max)
Bounce time	≤5ms		



## Use environment

Temperature	-25 °C ~ +55 °C
Humidity	5% ~ 95%
Rated load current	50A
Installation mode	Side

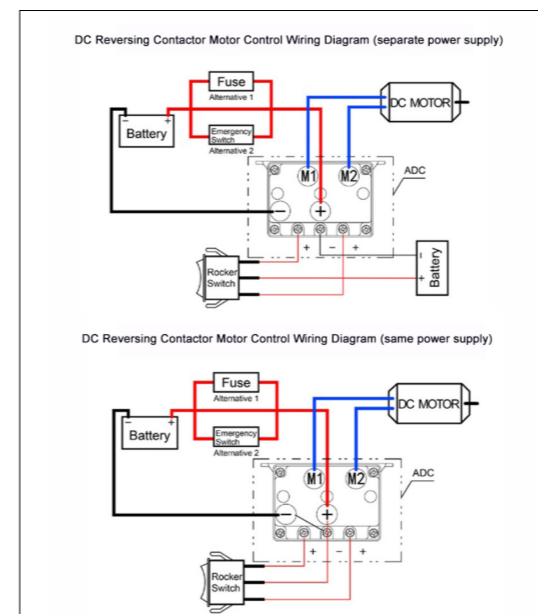
## Load contact parameters

Contact form	Two group conversion
Contact material	Silver alloy contact
Number of contacts	16 pcs
Minimum applicable load	DC 6V 1A
Working system	Long time work 7 * 24 hours

## Features

1. Low temperature rise
2. Low fever
3. Power saving
4. Long life
5. IP67 protection grade
6. Long time work 7 \* 24 hours

## Wiring Diagram



## Wiring Diagram

